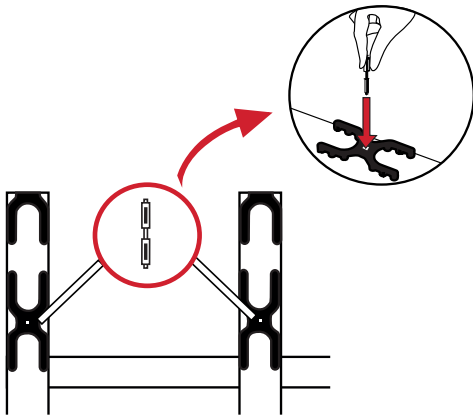


**Recommendation**

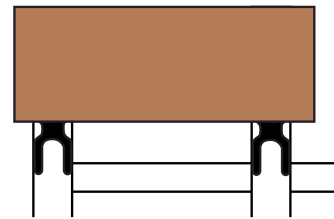
Min. 4mm = hardwood air dried 18 - 22 %  
Min. 5mm = wood Kiln dried 16 - 18%  
7mm = soft wood autoclaved



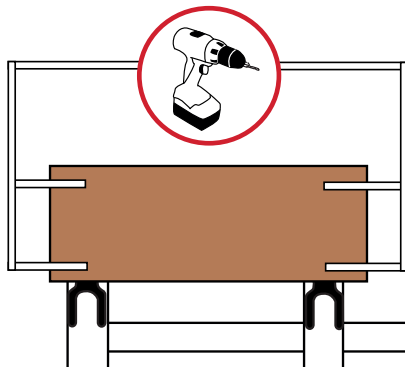
1



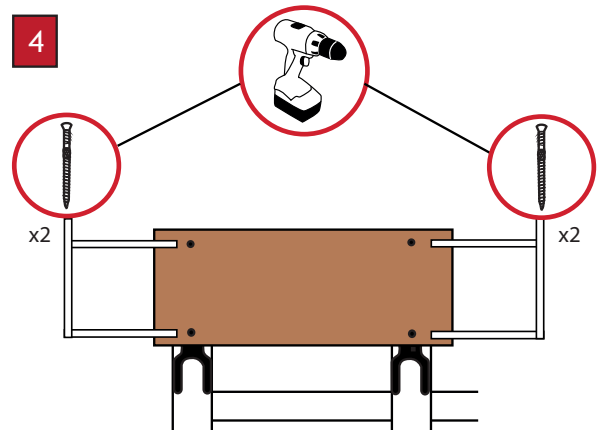
2



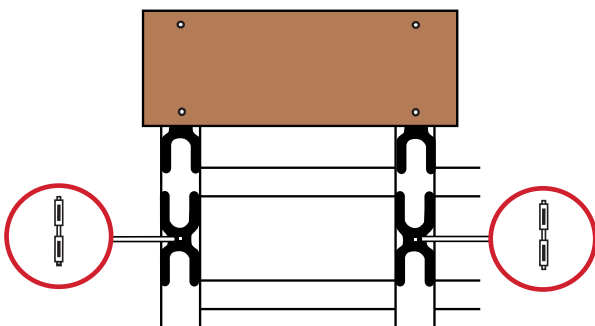
3



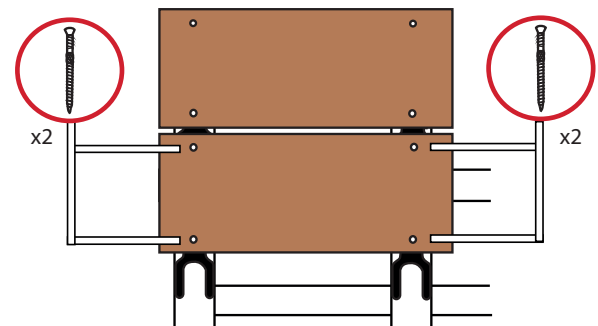
4



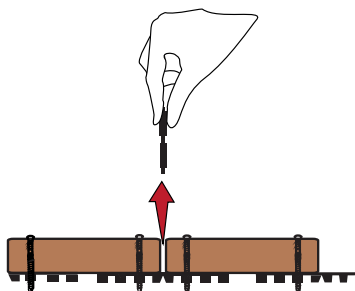
5



6



7



8

